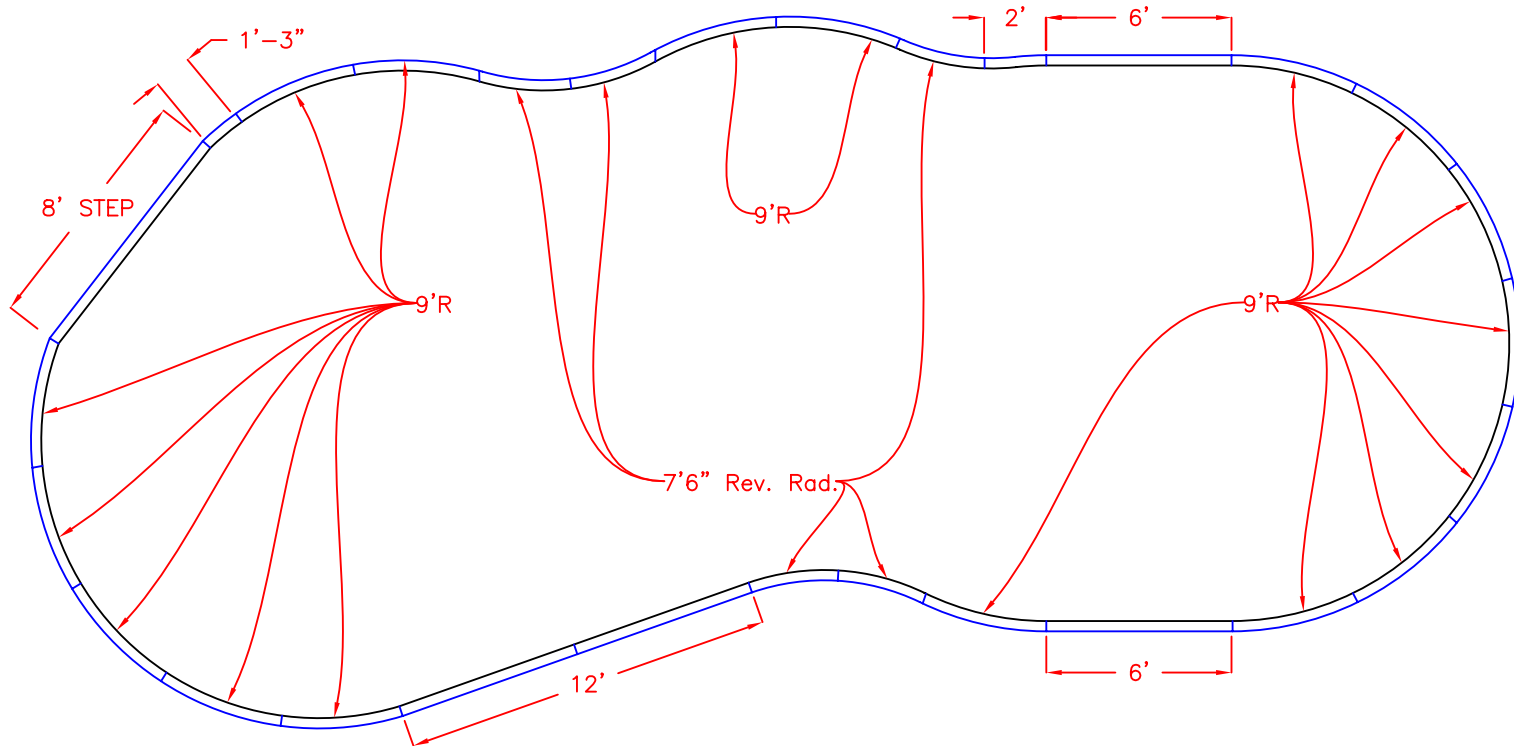
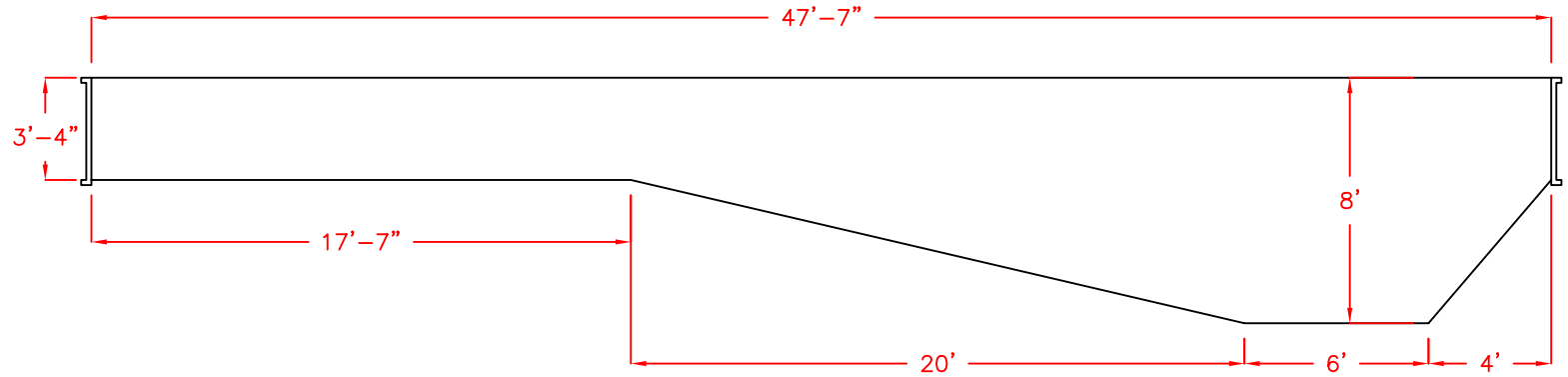
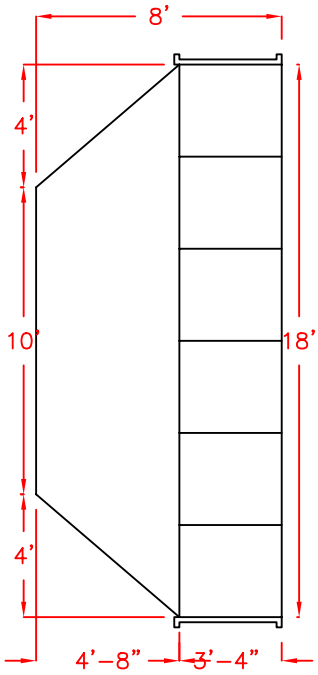
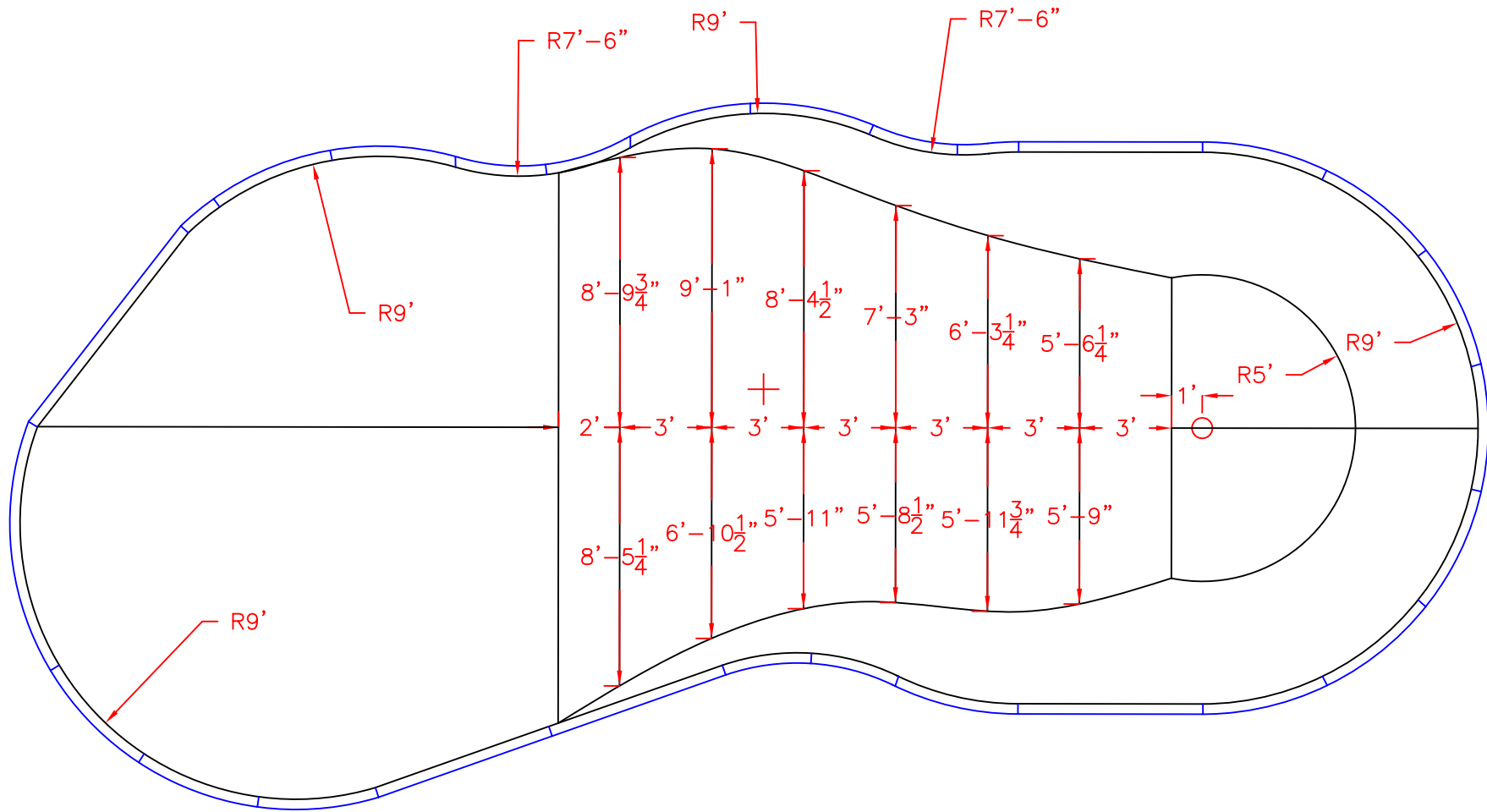
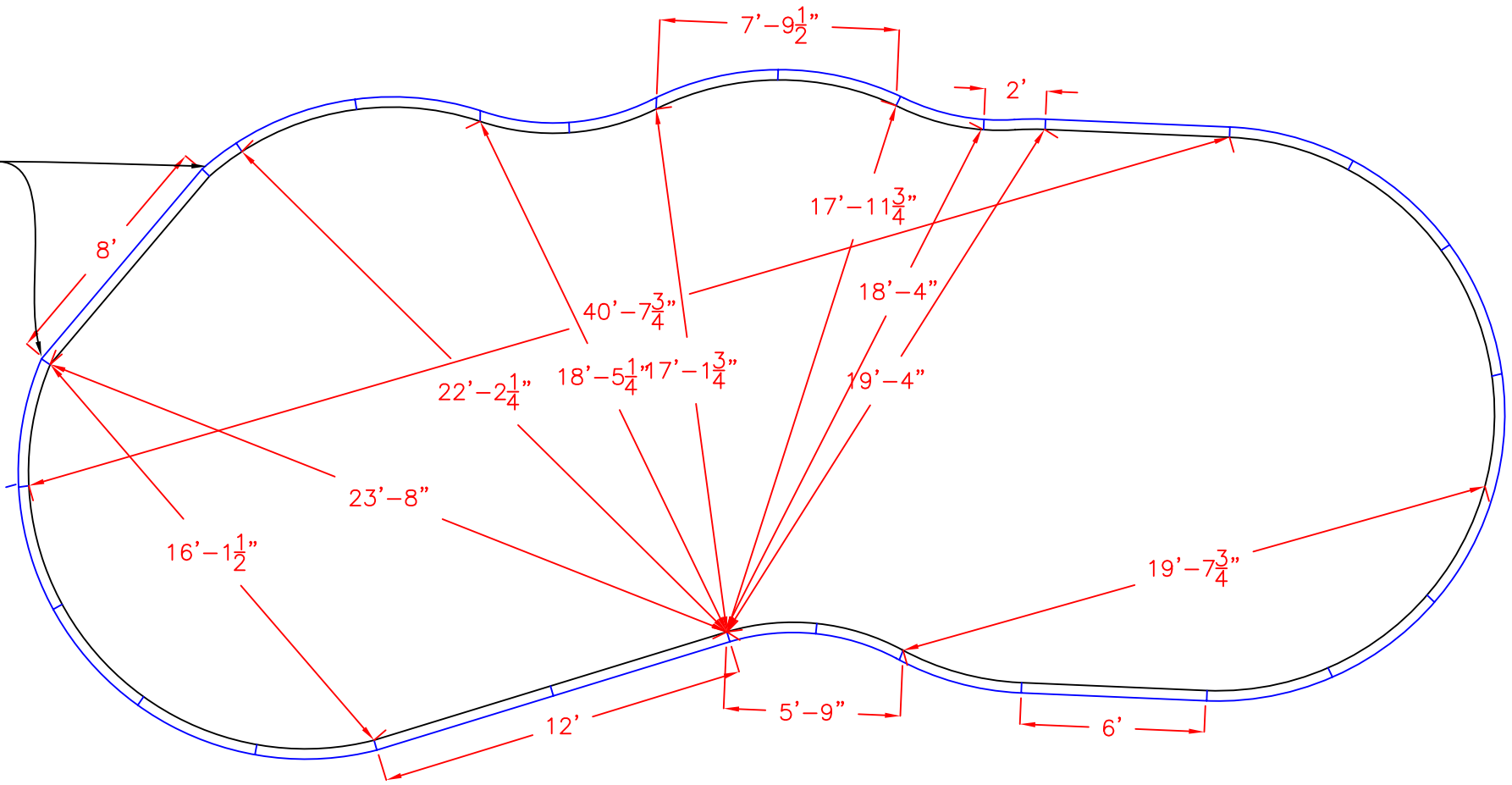


<b>POOL BUILDERS SUPPLY</b>  1124 CENTRAL AVE. CHARLOTTE, NC 28204		THIS DRAWING IS THE PROPERTY OF POOL BUILDERS SUPPLY AND IS LOANED FOR CONFIDENTIAL USE ONLY, AND SHOULD NOT BE COPIED OR USED FOR ANY PURPOSE DETRIMENTAL TO THE INTEREST OF POOL BUILDERS SUPPLY.			
		<b>22' X 48' EXTENDED RIGHT MOUNTAIN POND</b>			
DATE	DRAWN BY	SIZE	SCALE	DWG NO.	REV
9/16/08	JMH	A	NTS	PBS	0





15 Deg. Wedge



LIST OF MATERIALS	
PART	QUANTITY
8' STEP	1
6' STRAIGHT	4
9' RADIUS	17
7'-6' REV. RADIUS	5
2' STRAIGHT	1
1'-3" STRAIGHT	1

