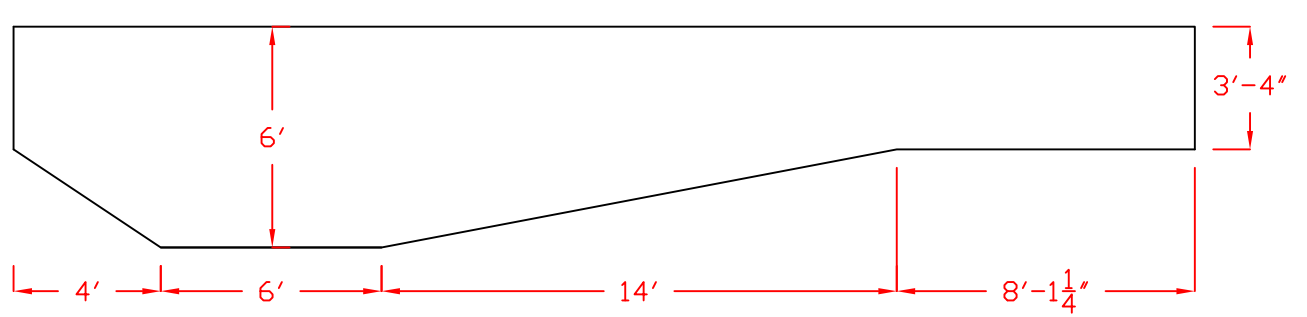
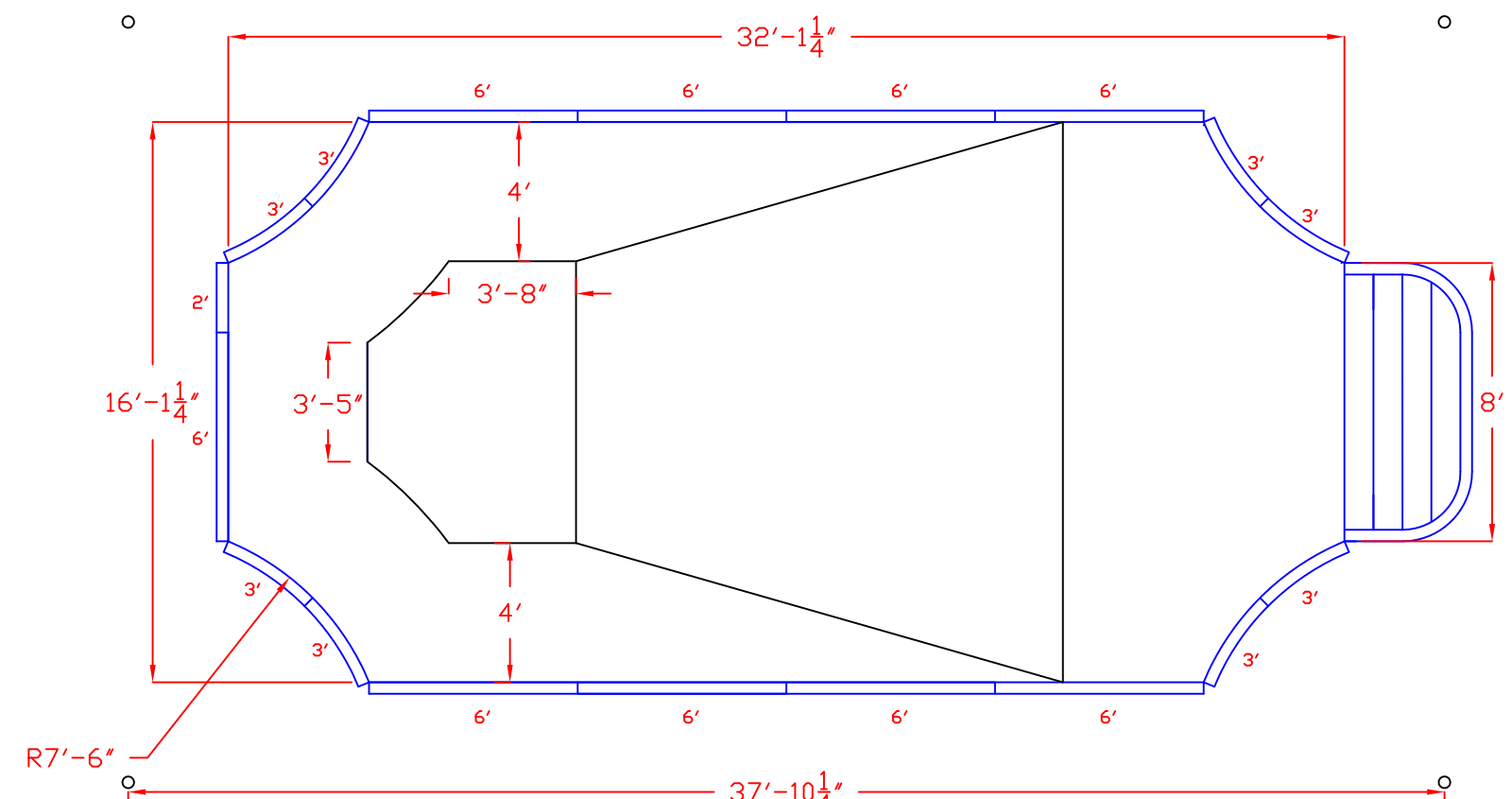
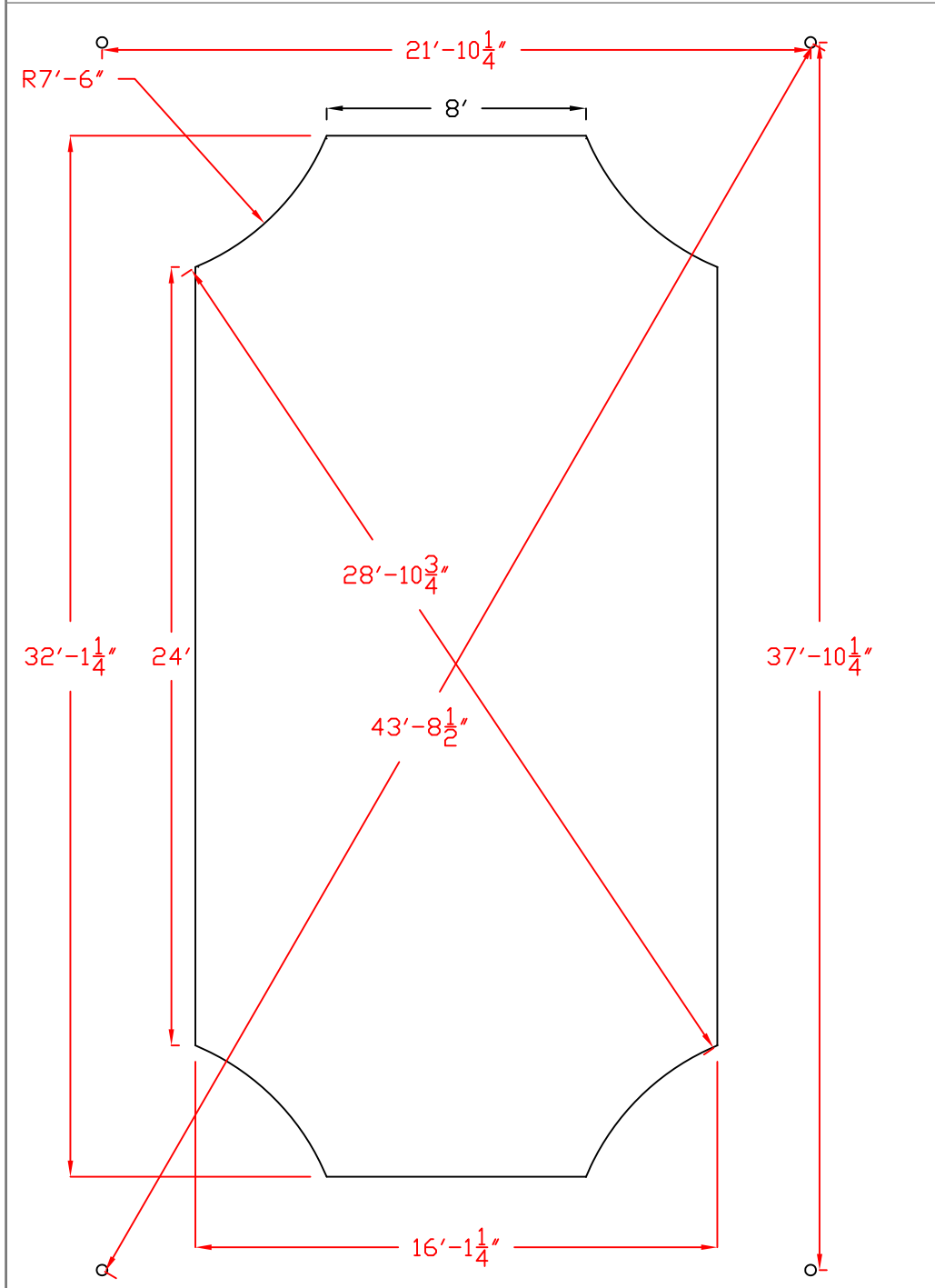


PART	QUANTITY	PART #
8' STEP	1	PBS-8
6' PLAIN	9	K23030
2' PLAIN	1	K23028
7'6" REVERSE	8	K23035
67 DEG. WEDGE BRACE	8	K52GFPBS67
	19	POLY BRACE



GENERAL NOTES:
This is a Type 0 pool &
No diving equipment must
be used.

This drawing is for
illustrative purposes only.
Dealer/ builder is an
independent contractor
and not an agent or
employee of Polar Pools.
Polar Pools makes no
representations other than
that which is stated in
its written warranty. The
customer or Dealer/
Builder is responsible for
all construction methods
and conforming to all
building codes.

Safety rope must be
installed 1ft. from break
on shallow side.

"No diving" placards must
be used.

PERIMETER: 87'-4"
S.A. : 549 SQ.FT.
VOLUME: 16,440 GAL.

POLAR POOLS		THIS DRAWING IS THE PROPERTY OF POLAR POOLS AND IS LOANED FOR CONFIDENTIAL USE ONLY, AND SHOULD NOT BE COPIED OR USED FOR ANY PURPOSE DETRIMENTAL TO THE INTEREST OF POLAR POOLS.			
		16'-1 1/4" X 32'-1 1/4" PATRICIAN - POLY			
DATE 01/07/16	DRAWN BY RES	SIZE B	SCALE NTS	DWG NO. 1 of 1	REV 0